

NATIONAL VAN



- Safe, Easy Bus Entrance
- Maneuverability & Fuel Economy of a Van

- 78" of Headroom
- 12" Center Aisle
- Flexible Floor Plans

Dealer Opportunities Available

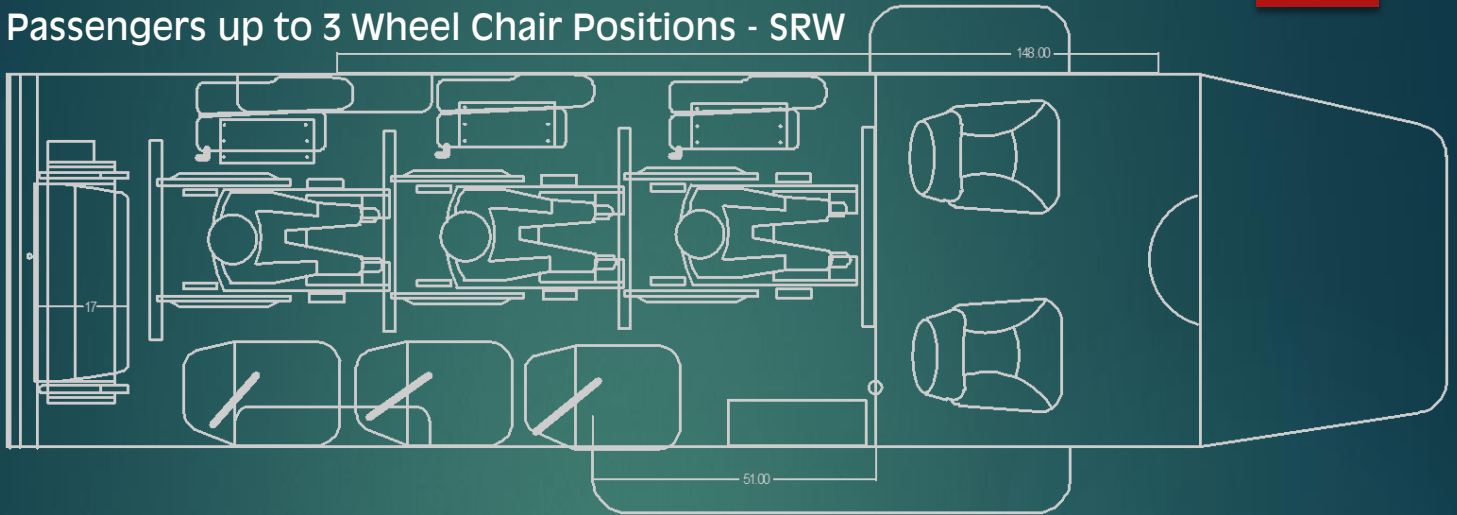


* Electric Bus Door Available on the T-350 HR EL DRW Model

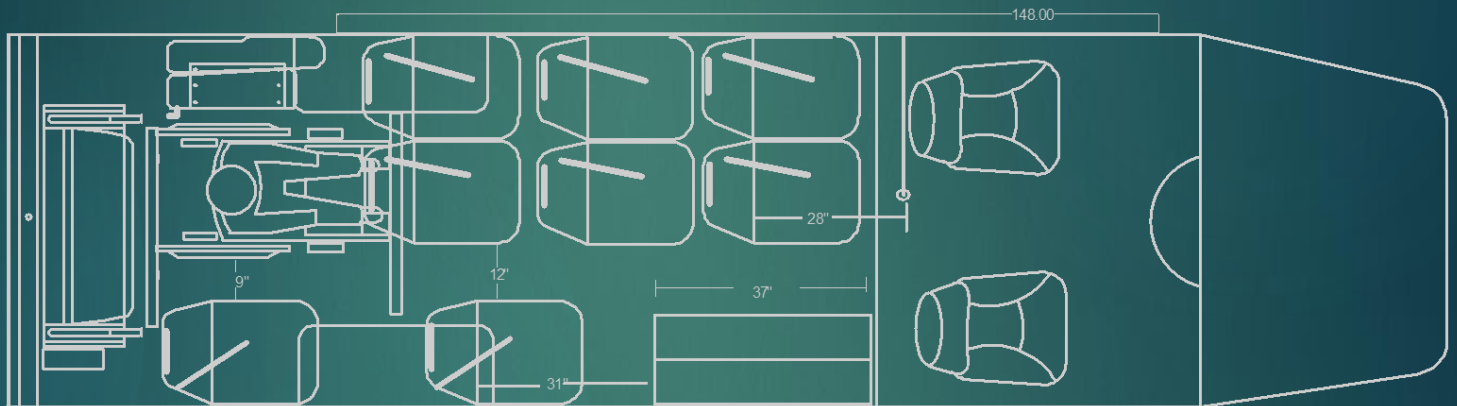
NATIONAL VAN

* Sample Floor Plans

10 Passengers up to 3 Wheel Chair Positions - SRW



11 Passengers or 9 Passenger with 1 Wheel Chair Position - DRW



14 Passengers - DRW

